

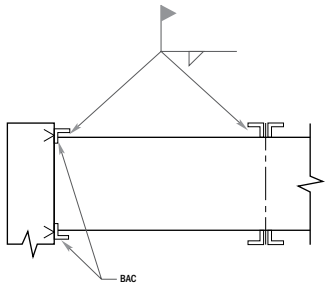
VULCRAFT - BRIDGING

JOB NAME	FILE NO.	SHT	OF
LOCATION	DESCRIPTION	SEQ.	COLOR
NOTES	PAINT GRAY/NONE		
	REF		
	DRAWN		
	CHECKED		

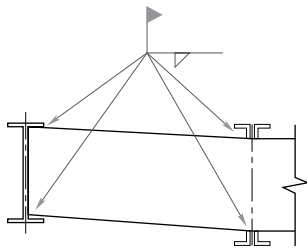
MARK	QTY	DESCRIPTION	SIZE	LENGTH	BOT OF	TOP OF	SPACE	NOTES

SEE SJI BRIDGING TABLES IN THE LATEST VULCRAFT CATALOG

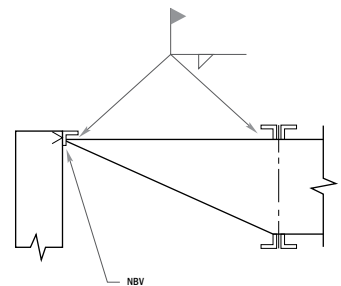
BRIDGING DETAIL – B1
(TYPICAL HORIZ. BRDG. TO WALL)



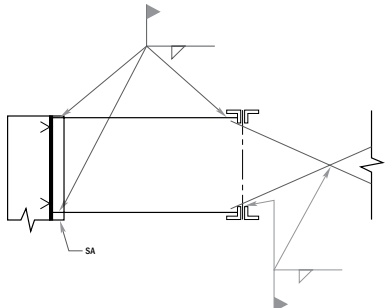
BRIDGING DETAIL – B2
(TYPICAL HORIZ. BRDG. TO BEAM)



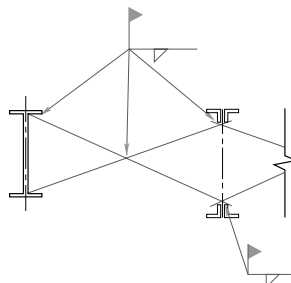
BRIDGING DETAIL – B3
(TYPICAL HORIZ. BRDG. TO WALL)



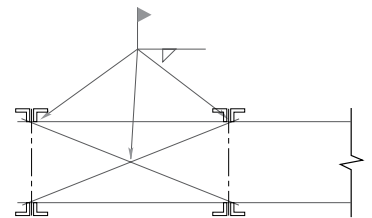
BRIDGING DETAIL – B6
(TYPICAL "HW" BRDG. TO WALL)



BRIDGING DETAIL – B9
(TYPICAL "W" BRDG. TO BEAM)



BRIDGING DETAIL – B11
(TYPICAL "W" & HORIZ. BRDG. TO JOIST)



LENGTH - STD FOR HORIZONTAL BRIDGING IS 20'
 BOT OF - INDICATE BOTTOM OF WHAT (EX. W18)
 TOP OF - INDICATE TOP OF WHAT (EX. W24)